

Product: CASCO MIMO LTE

Product Order Code:  
BM-02 RANGE

## Wideband Telemetry Antenna

LTE-4G, CELLULAR (2G, 3G)

- Rugged wideband body mounted antenna
- RoHS 2011/65/EU & RoHS3 (2015/863/EU compliant)
- Request samples for test & evaluation via enquiry@bloomice.com



### Technical Data

Dimensions	53mm (H) Above panel height x 110mm Diameter (Base)	
Weight	376g (Excluding cable)	
Construction Materials	PC/ABS UL94 V0 UV Stable	
Mounting Arrangement	M27 Stainless Steel Nut Mounting on any surface (glass, metal, plastic etc.)	
Temperature Range	-40 – +85° C	
Protection Class	IP67 / IK09 (IEC 60529)	
<b>MIMO Cellular LTE / 2G / 3G (2 CABLES)</b>		
Frequency Range	LTE 700 + GSM 900:	700 - 960 MHz
	GSM 1800:	1710 - 1880 MHz
	UMTS:	1920 - 2170 MHz
	LTE (High):	2300 - 2655MHz
Impedance	50 Ohm	
Polarisation	Linear	
Peak Gain	LTE 700 & GSM 900:	@ 790-960 MHz; 3dBi
	GSM 1800:	@ 1710-1880 MHz; 3dBi
	UMTS:	@ 1920-2170 MHz; 3dBi
	LTE (High):	@ 2300-2700 MHz; 3dBi
Radiation Pattern	Omni-Directional	
Max Power @ 30°C	LTE 700 & GSM 900:	35 Watts @ 790-960 MHz
	GSM 1800:	35 Watts @ 1710-1880 MHz
	UMTS:	35 Watts @ 1920-2170 MHz
	LTE (High):	35 Watts @ 2300-2700 MHz
Return loss (VSWR)	≤ 2:1 (All Bands)	
Radiator Type(s)	Folded Monopole(s)	
Cable types Available	LL100 50 Ohm Low Loss / RG174	
Cable Length	According to customer specification	
Connector	According to customer specification	
Test & Measurement Conditions	300mm x 300mm Ground Plane / 1000mm LL100 Cable	

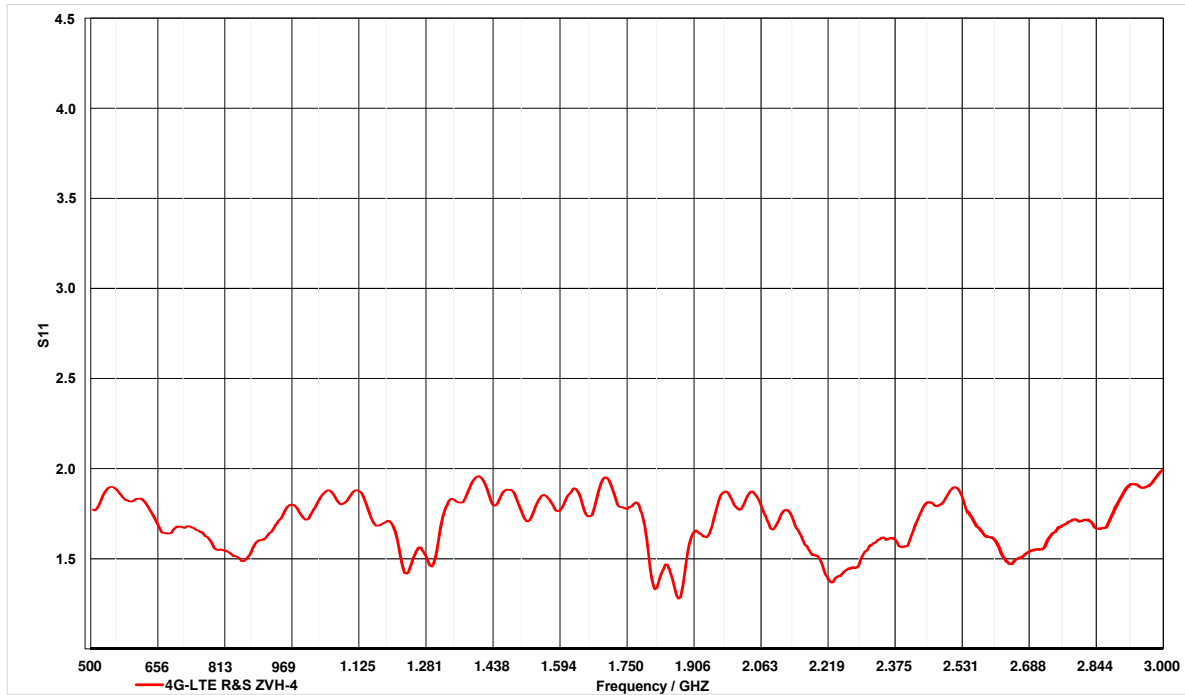
dBi: Referenced to an isotropic radiator

Product: CASCO MIMO LTE

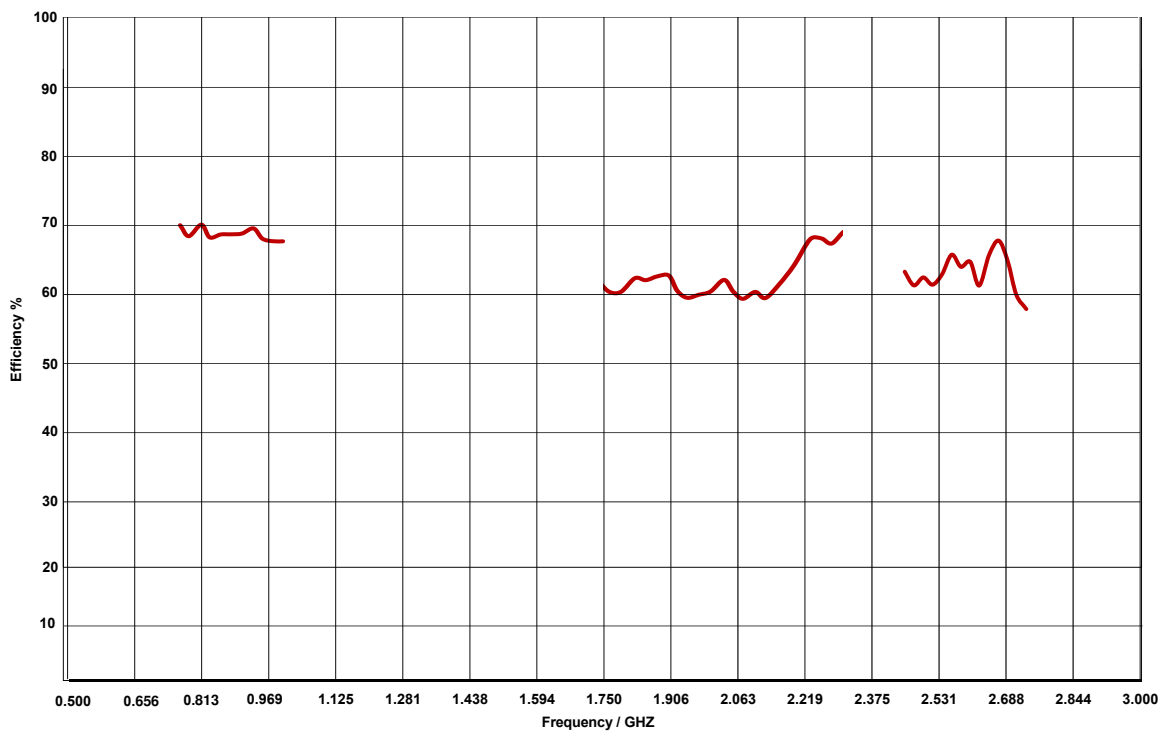
Product Order Code:

**Typical VSWR Data**

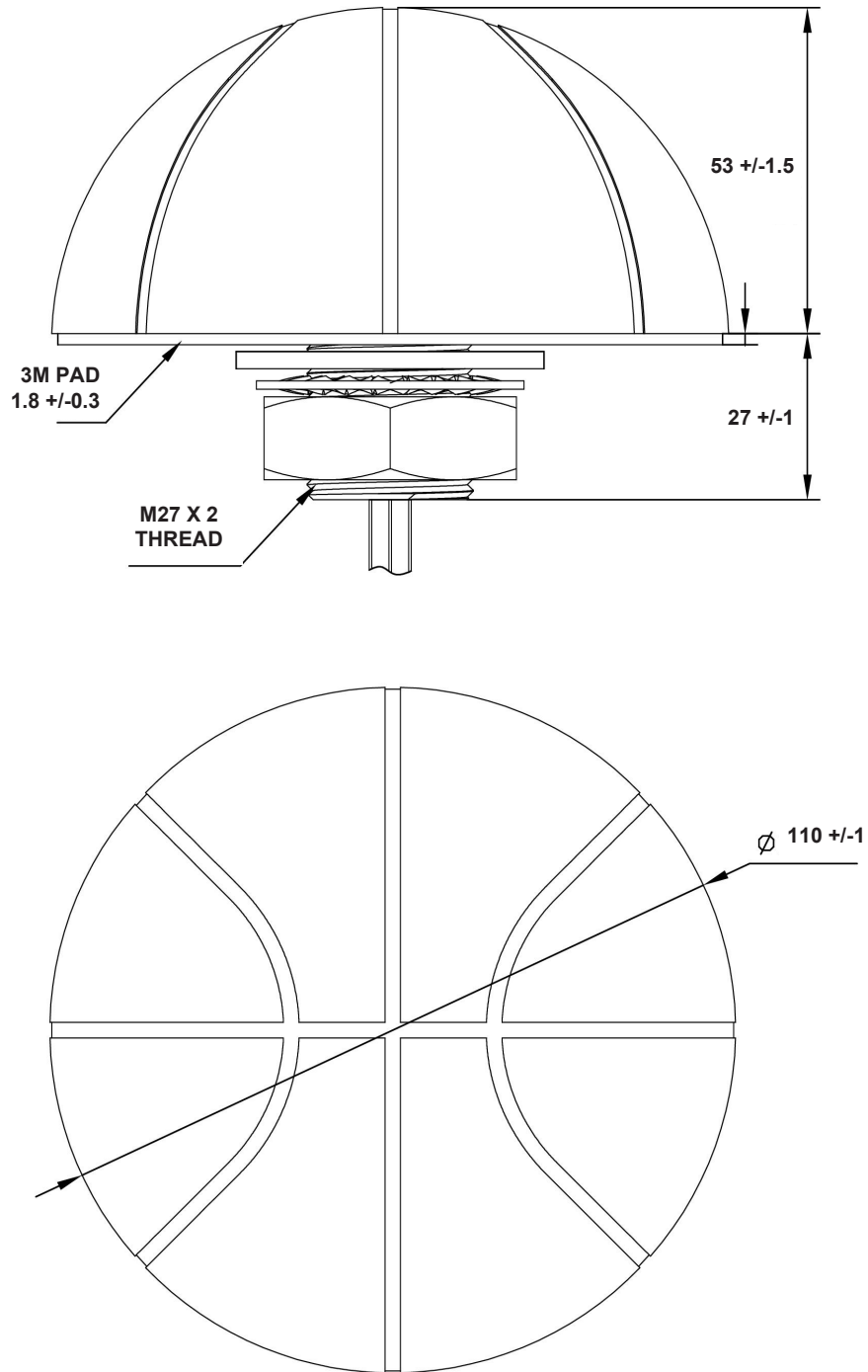
**BM-02 RANGE**



**Radiated Efficiency**



CAD Data



DIMENSIONS IN MM