

Product: CASCO 5G-NR / LTE

Product Order Code:  
BM-02 RANGE

## Wideband Telemetry Antenna

5G-NR, LTE-4G, CELLULAR (2G)

- Rugged wideband body mounted antenna
- RoHS 2011/65/EU & RoHS3 (2015/863/EU compliant)
- Request samples for test & evaluation via [enquiry@bloomice.com](mailto:enquiry@bloomice.com)

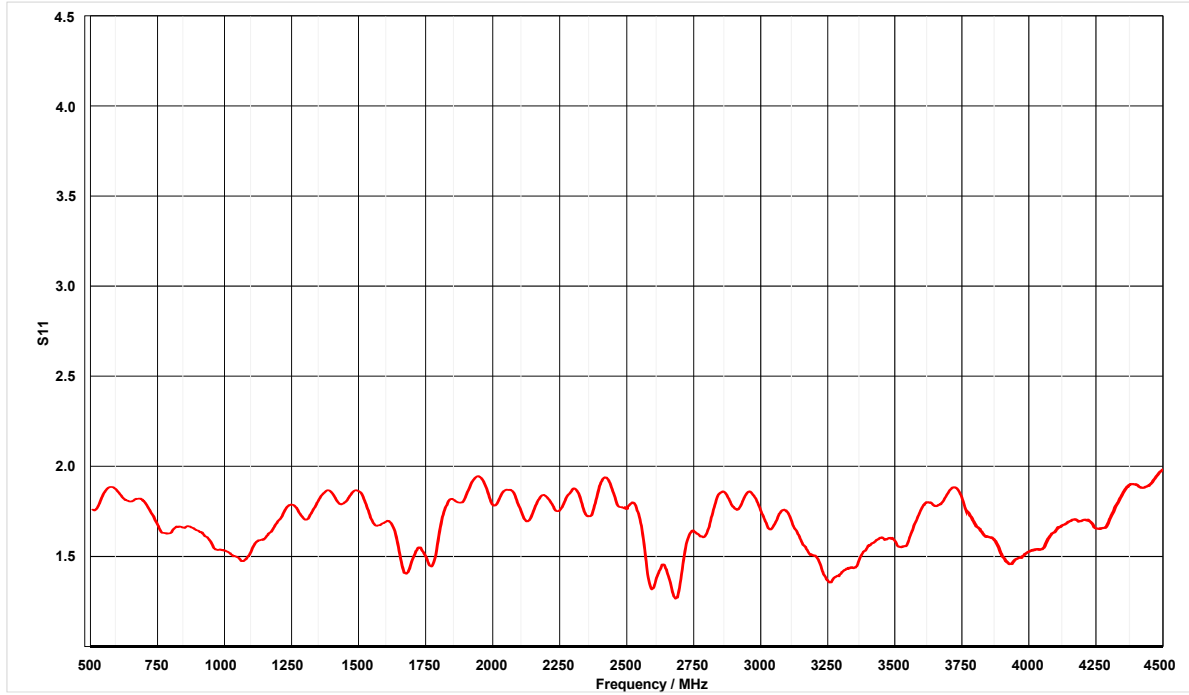


### Technical Data

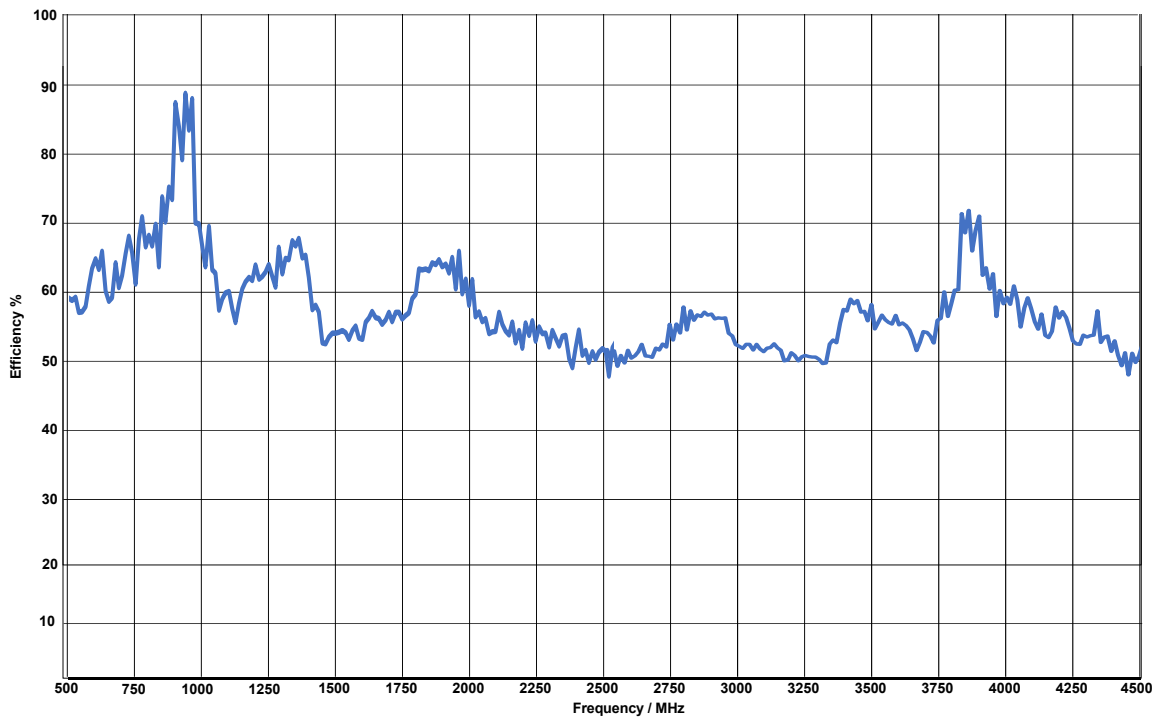
Dimensions	33mm (H) Above panel height x 68mm Diameter (Base)	
Weight	160g (Excluding cable)	
Construction Materials	PC/ABS UL94 V0 UV Stable	
Mounting Arrangement	M20 Thread to Stainless Steel Nut Ground Plane Dependent	
Temperature Range	-40 to +85°C	
Protection Class	IP67 / IK09 (IEC 60529)	
<b>Cellular 5G-NR / LTE / 2G / 3G</b>		
Frequency Range	LTE 700 + GSM 900 + 5G-NR: GSM 1800: UMTS: LTE (High): 5G-NR:	700 - 960 MHz 1710 - 1880 MHz 1920 - 2170 MHz 2300 - 2655 MHz 3300 - 4000 MHz
Impedance	50 Ohm	
Polarisation	Linear	
Peak Gain	LTE 700 + GSM 900 + 5G-NR: GSM 1800: UMTS: LTE (High): 5G-NR:	@ 700-960 MHz; 2.14dBi @ 1710-1880 MHz; 2.14dBi @ 1920-2170 MHz; 2.14dBi @ 2300-2700 MHz; 2.5dBi @ 3300-4000 MHz 2.5dBi
Radiation Pattern	Omni-Directional	
Max Power @ 30°C	LTE 700 + GSM 900 + 5G-NR: GSM 1800: UMTS: LTE (High): 5G-NR:	35 Watts @ 790-960 MHz 35 Watts @ 1710-1880 MHz 35 Watts @ 1920-2170 MHz 35 Watts @ 2300-2700 MHz 35 Watts @ 3300-4000 MHz
Return loss (VSWR)	≤ 2:1 (All Bands)	
Radiator Type(s)	Folded Monopole	
Cable types Available	LL100 50 Ohm Low Loss / RG174	
Cable Length	According to customer specification	
Connector	According to customer specification	
Test & Measurement Conditions	300mm x 300mm Ground Plane / 1000mm LL100 Cable	

dBi: Referenced to an isotropic radiator

### Typical VSWR Data



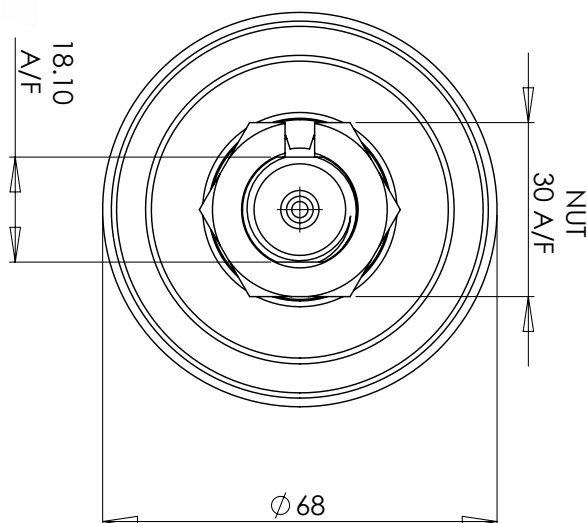
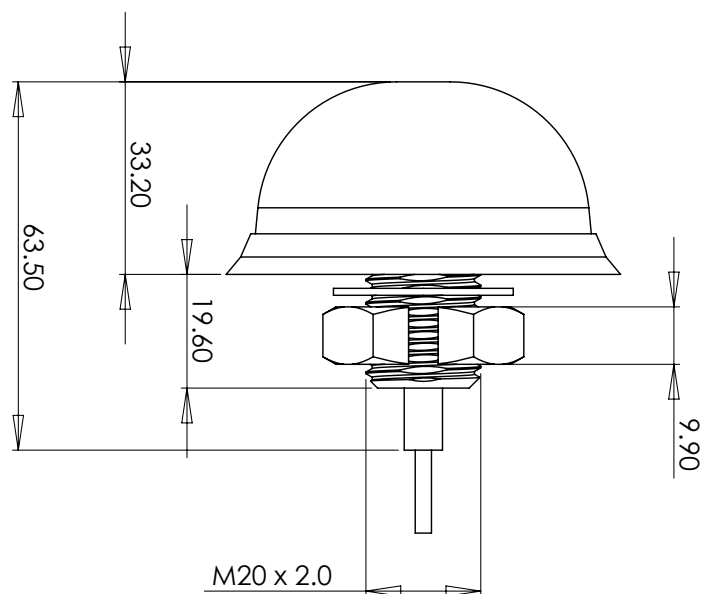
### Radiated Efficiency (LTE)



Product: CASCO 5G-NR / LTE

Product Order Code:  
BM-02 RANGE

**CAD Data**



DIMENSIONS IN MM