

Product: GNSSCP-25-25-4

Product Order Code:

BM-02952

## GNSS Active Patch Antenna

GNSS (GPS, GLONASS, Galileo, QZSS)

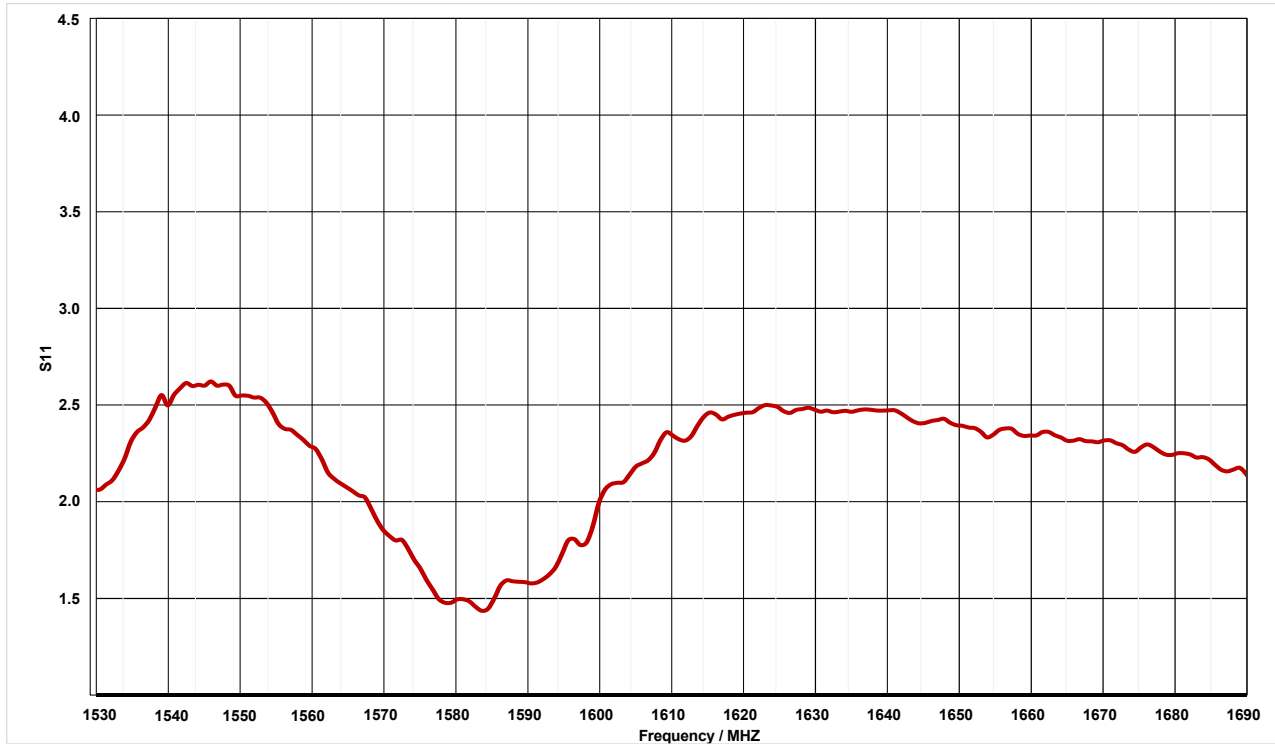
- GNSS Passive Ceramic Patch Antenna
- RoHS 2011/65/EU & RoHS<sub>3</sub> (2015/863/EU compliant)
- Request samples for test & evaluation via [enquiry@bloomice.com](mailto:enquiry@bloomice.com)



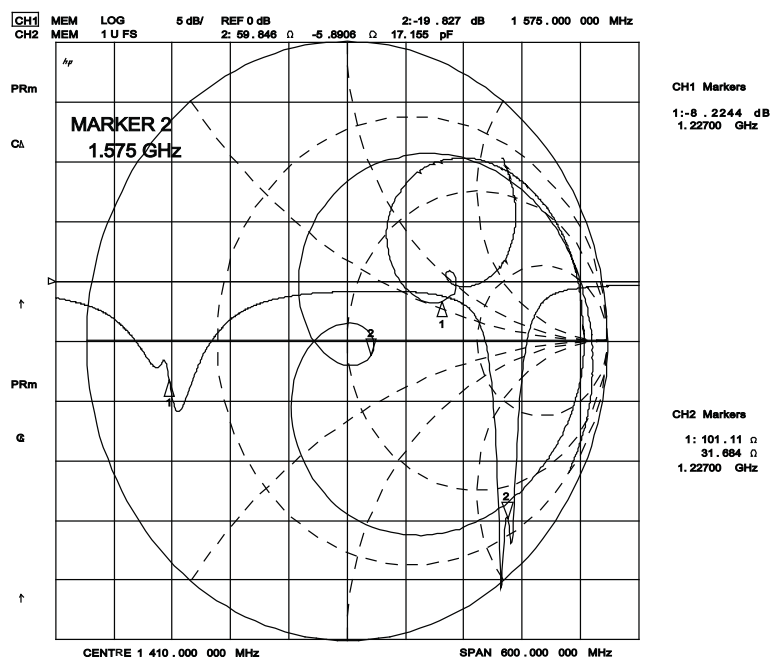
### Technical Data

Dimensions	25mm x 25mm x 4mm (D) (Including Self Adhesive Pad)	
Weight	14g	
Construction Materials	Ceramic	
Mounting Arrangement	3M Self Adhesive Pad	
Temperature Range	-40 to +85 Degree C	
Typical Sheer Force Test	50Kgf (IEC62137-1-2-2007)	
Frequency Range	GPS, GALILEO, QZSS:	1575.42 MHz (+/- 5MHz)
	GLONASS:	1602 MHz (+/- 5MHz)
Impedance	50 Ohm	
Polarisation	RHCP	
Radiation Pattern	Hemispherical	
Gain Coverage	> -4dBi at 90 Degree < 0 < +90° (over 75% Volume)	
Return loss (VSWR)	< 1.5:1 (@ 1575.42MHz & 1602MHz)	
Bandwidth	15MHz	
Peak Gain	> 4dBi (Based on 70mm x 70mm Ground Plane)	
Power Handling	1W	
Relative Humidity	95%-100%	
Test & Measurement Conditions	Mounted on a 70mm x 70mm Ground Plane MICRO 1.13 Cable 100mm / IPEX UFL Connector	

### Typical VSWR Data



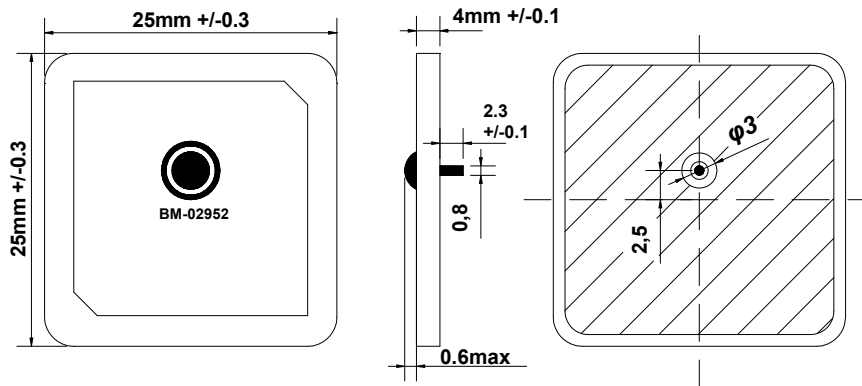
### Smith Chart



Product: GNSSCP-25-25-4

Product Order Code:  
BM-02952

**CAD Data**



Tolerance Unless Otherwise Specified:  
 $\pm 0.10$  Unit: mm