

Product: 4GMOD-40-15

Product Order Code:

BM-02 RANGE

## Embedded FR4 Adhesive Mounted Antenna

LTE-4G, CELLULAR (2G, 3G)



- Wideband PCB high performance antenna
- RoHS 2011/65/EU & RoHS3 (2015/863/EU compliant)
- Request samples for test & evaluation via enquiry@bloomice.com

### Technical Data

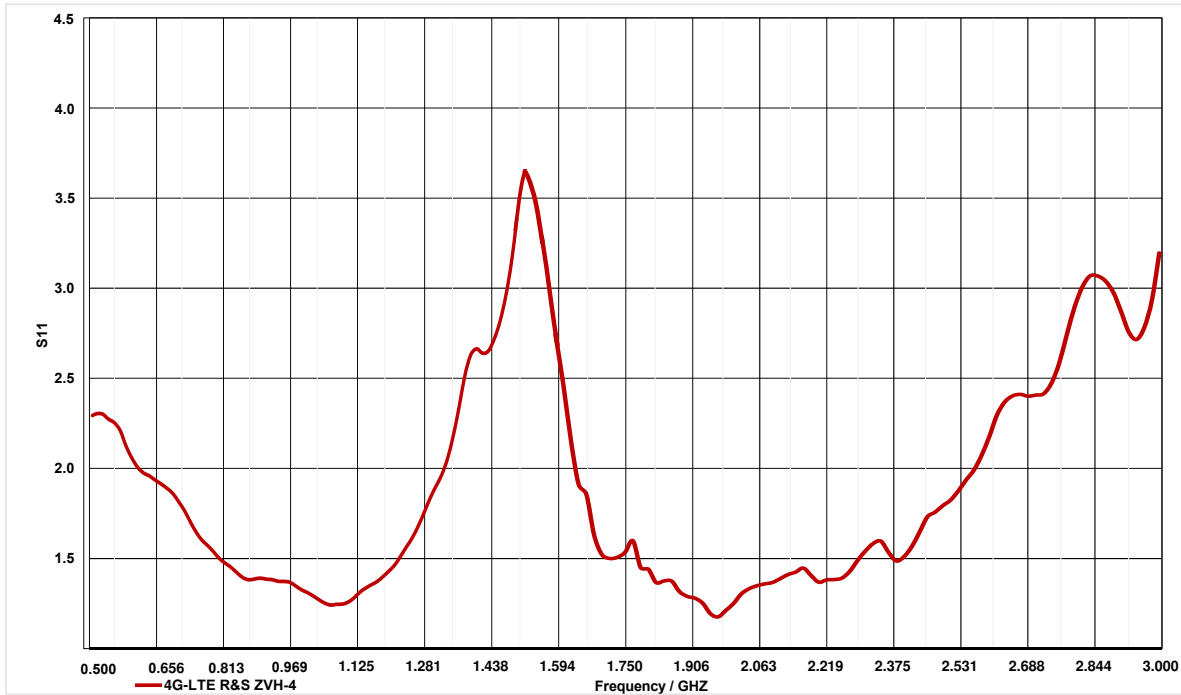
Dimensions	40mm x 15mm x 1.98mm (Including self adhesive pad)	
Weight	9g (Excluding cable and connector)	
Construction Materials	FR4 PCB UL94 V0 IPC4101	
Mounting Arrangement	3M Adhesive Pad Mounting on any non metallic surface (glass, plastic etc.)	
Temperature Range	-40 to +85 Degree C	
Protection Class	Embedded	
<b>Cellular LTE / 2G / 3G</b>		
Frequency Range	LTE 700 + GSM 900: GSM 1800: UUMTS: LTE (High):	698 - 960 MHz 1710 - 1880 MHz 1920 - 2170 MHz 2300 - 2700 MHz
Impedance	50 Ohm	
Polarisation	Linear	
Peak Gain	LTE 700 & GSM 900: GSM 1800: UUMTS: LTE (High):	@ 790-960 MHz; 2.14dBi @ 1710-1880 MHz; 3.6dBi @ 1920-2170 MHz; 2.6dBi @ 2300-2700 MHz; 1.6dBi
Radiation Pattern	Omni-Directional	
Max Power @ 30 Celsius	LTE 800 & GSM 900: GSM 1800: UUMTS: LTE (High):	25 Watts @ 790-960 MHz 25 Watts @ 1710-1880 MHz 25 Watts @ 1920-2170 MHz 25 Watts @ 2300-2700 MHz
Return loss (VSWR)	<2.5:1 (All Featured Bands)	
Radiator Type	Dipole	
Cable types Available	MICRO 0.81 / 1.13 / 1.37 / RG174 / RG178	
Cable Length	According to customer specification	
Connector	According to customer specification	
Test & Measurement Conditions	300mm x 300mm x 2mm ABS / 100mm MICRO 1.13mm Diameter Cable / IPEX U.FL Cable	

dBi: Referenced to an isotropic radiator

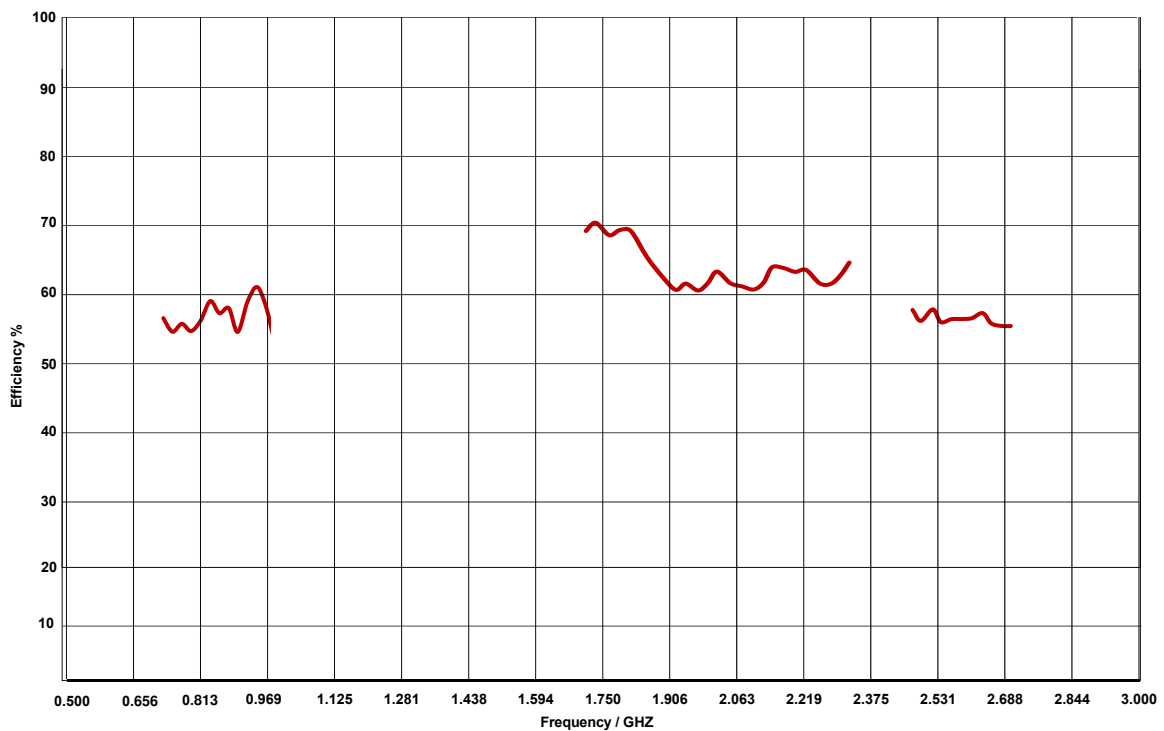
Product: 4GMOD-40-15

Product Order Code:  
BM-02 RANGE

### Typical VSWR Data



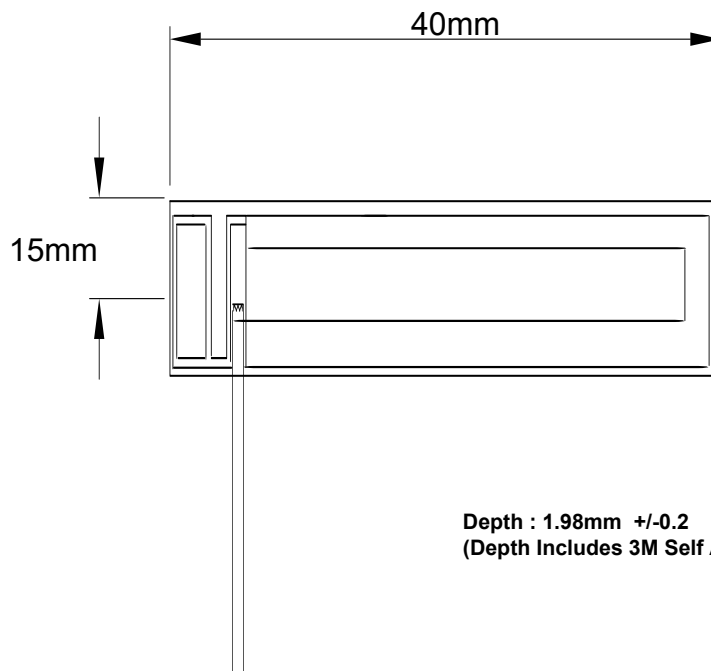
### Radiated Efficiency



Product: 4GMOD-40-15

Product Order Code:  
BM-02 RANGE

**CAD Data**



Depth : 1.98mm +/-0.2  
(Depth Includes 3M Self Adhesive Pad)