

Product: PARED-10 TNCF

Product Order Code:

BM-02613-TNCF

High Gain Wall Mounted Antenna

CELLULAR (2G, 3G), CDMA, GPRS
ISM, UMTS, WCDA

- Wall mounted robust wideband planar antenna
- RoHS 2011/65/EU & RoHS3 (2015/863/EU compliant)
- Request samples for test & evaluation via enquiry@bloomice.com



Technical Data

Dimensions	845mm (H) x 22mm (D) Whip Top x 34mm (D) Whip Base	
Weight	420g	
Construction Materials	Fibreglass UV Stable UL94 V0 (Whip) Stainless Steel (Bracket & Base)	
Mounting Arrangement	L Stainless Steel Wall Mounted Bracket TNC Female Base Mounted Connector	
Wind Loading	40N @ 150KM/H	
HPBW - Horizontal / Vertical	360° / 10°	
Lightning Protection	Direct Ground	
Temperature Range / Humidity	-40°C to +85°C / 100% @ 25°C	
Protection Class	IP66 (IEC 60529)	
Cellular 2G / 3G		
Frequency Range	GSM 900 / ISM:	863 - 960 MHz
	GSM 1800:	1710 - 1880 MHz
	UMTS:	1900 - 2170 MHz
Impedance	50 Ohm	
Polarisation	Linear Vertical	
Average Gain	GSM 900 / ISM:	@ 863-960 MHz; 9.3dBi
	GSM 1800:	@ 1710-1880 MHz; 9.6dBi
	UMTS:	@ 1900-2170 MHz; 10.7dBi
Radiation Pattern	Omni-Directional	
Max Power @ 30°C	GSM 900 / ISM:	50 Watts @ 863-960 MHz
	GSM 1800:	50 Watts @ 1710-1880 MHz
	UMTS:	50 Watts @ 1900-2170 MHz
Return loss (VSWR)	≤ 1:1.9 (All Bands)	
Radiator Type	Collinear Array	
Cable types Available	LL195 50 Ohm Low Loss / RG58 / LL400 / LMR400	
Cable Length	According to customer specification	
Connector	TNC Female	
Test & Measurement Conditions	Free Space / 2000mm LL195 Cable / SMA MALE	

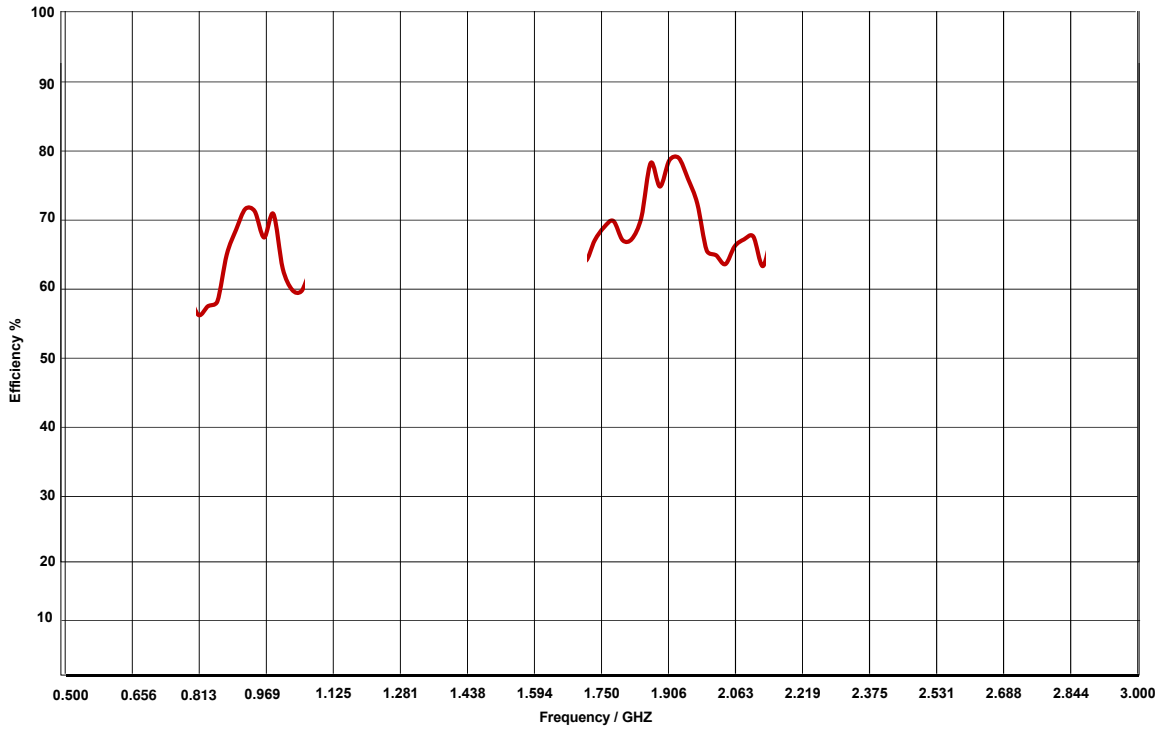
dBi: Referenced to an isotropic radiator

Product: PARED-10 TNCF

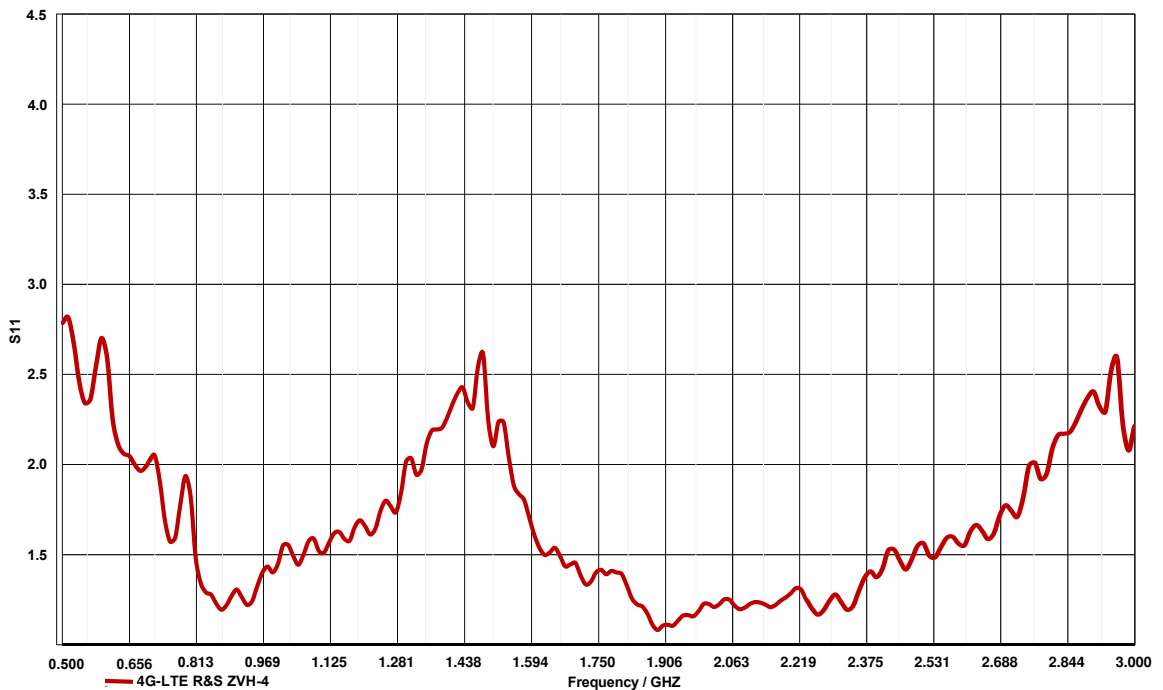
Product Order Code:

BM-02613-TNCF

Radiated Efficiency



Typical VSWR



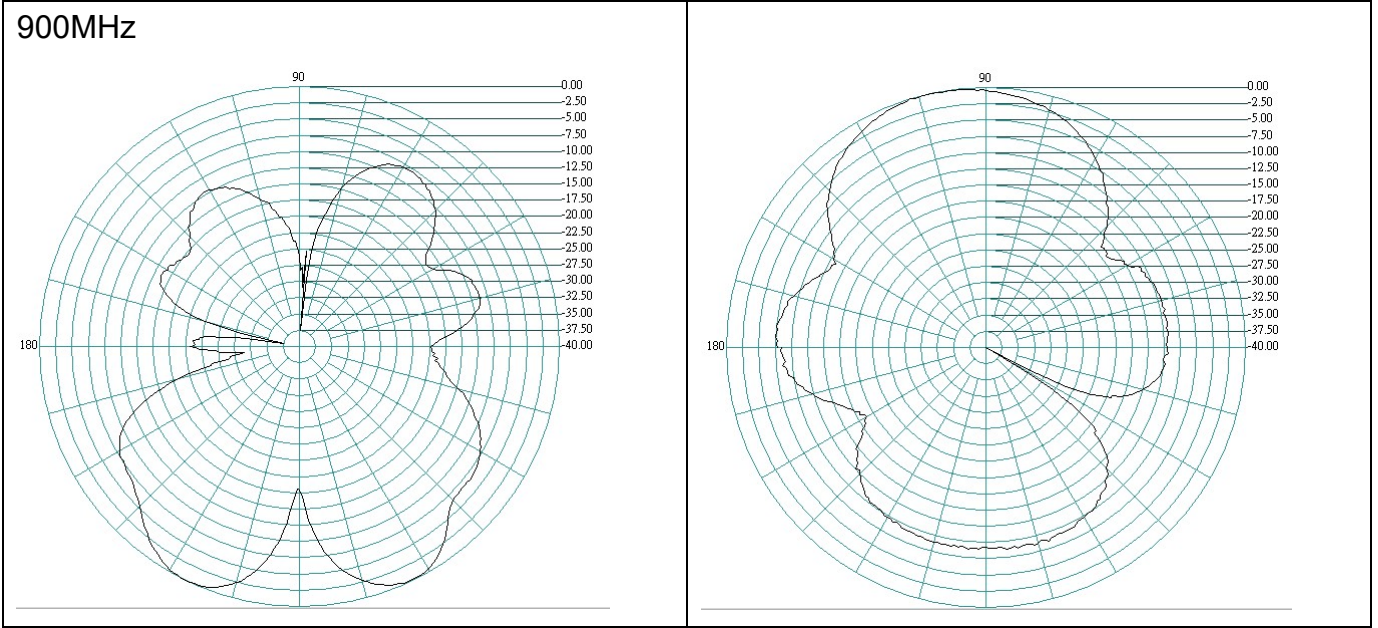
Product: PARED-10 TNCF

Product Order Code:
BM-02613-TNCF

Typical Radiating Patterns

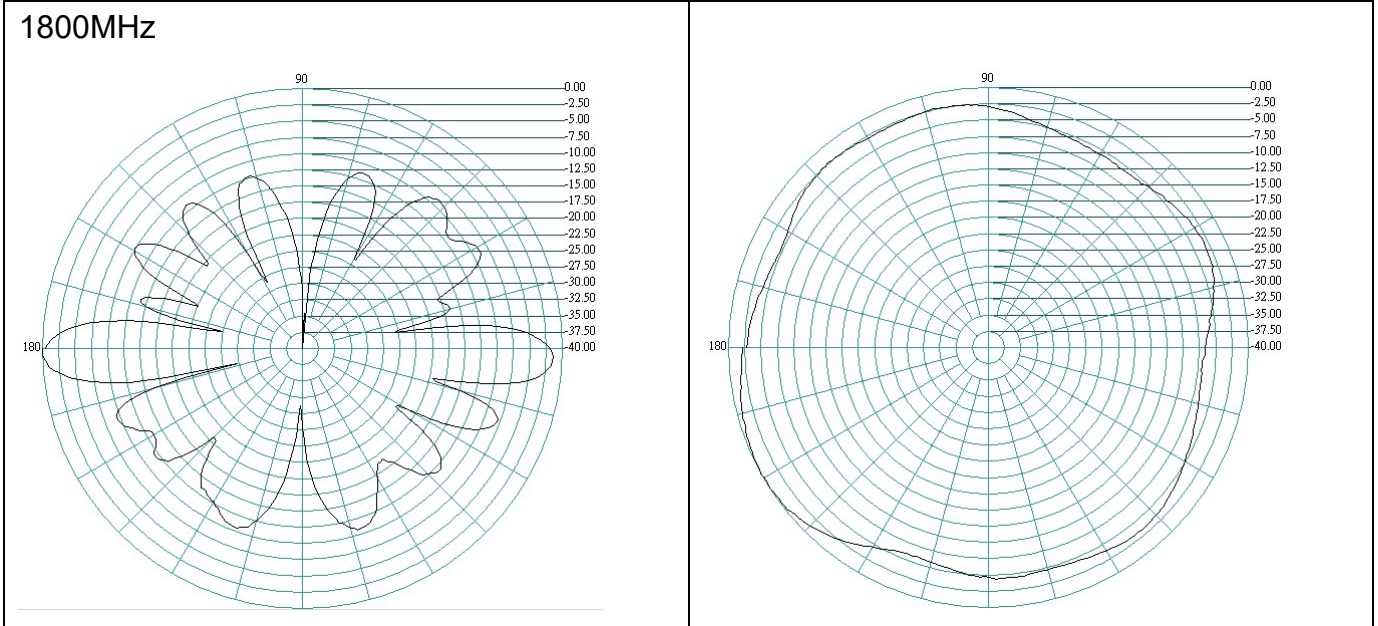
E-plane (Y-Z)

H-plane (X-Z)



E-plane (Y-Z)

H-plane (X-Z)

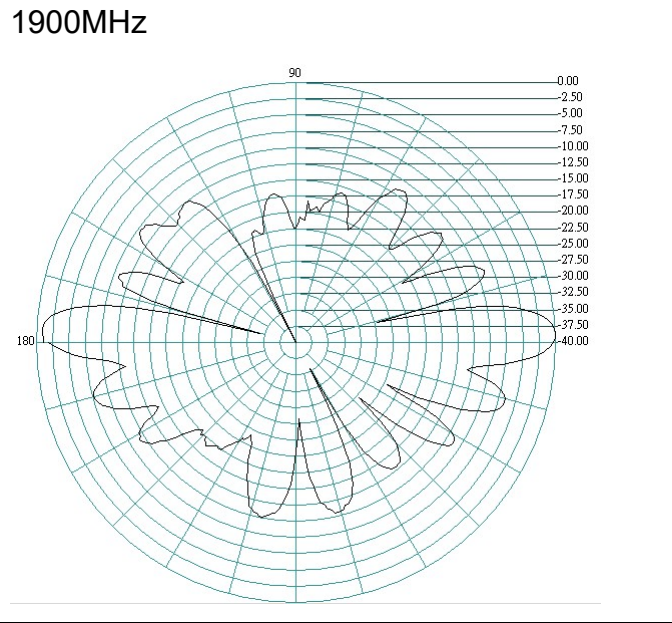


Product: PARED-10 TNCF

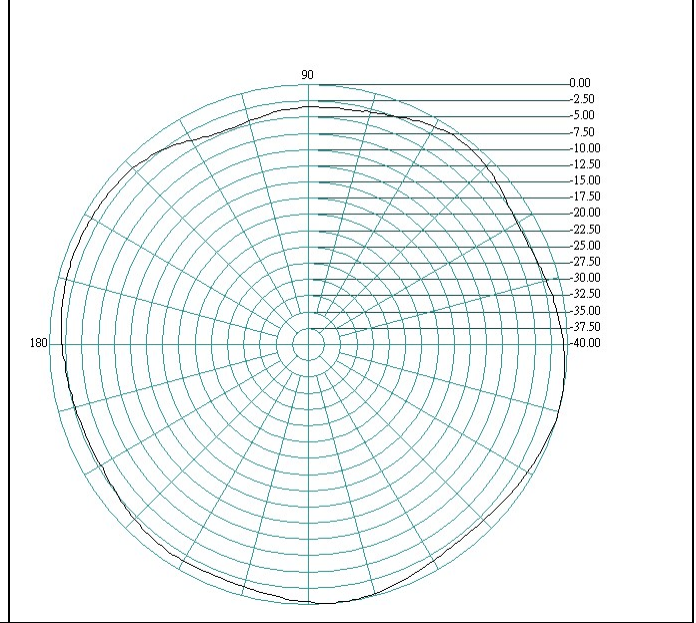
Product Order Code:
BM-02613-TNCF

Typical Radiating Patterns

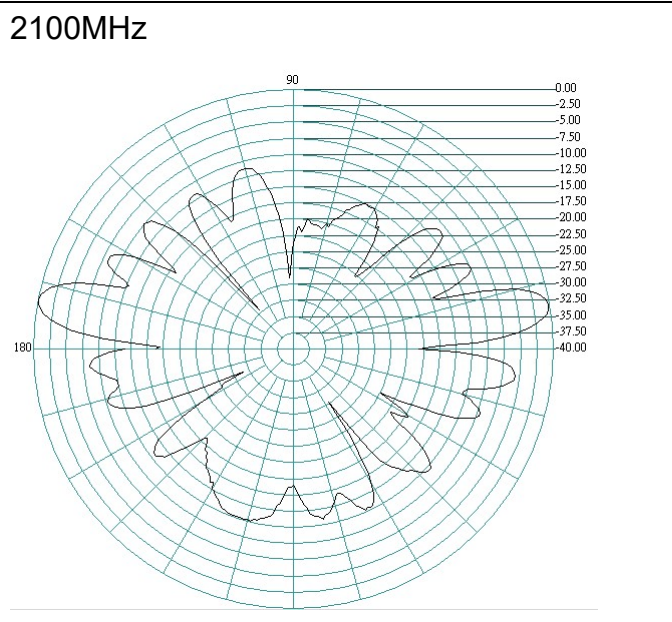
E-plane (Y-Z)



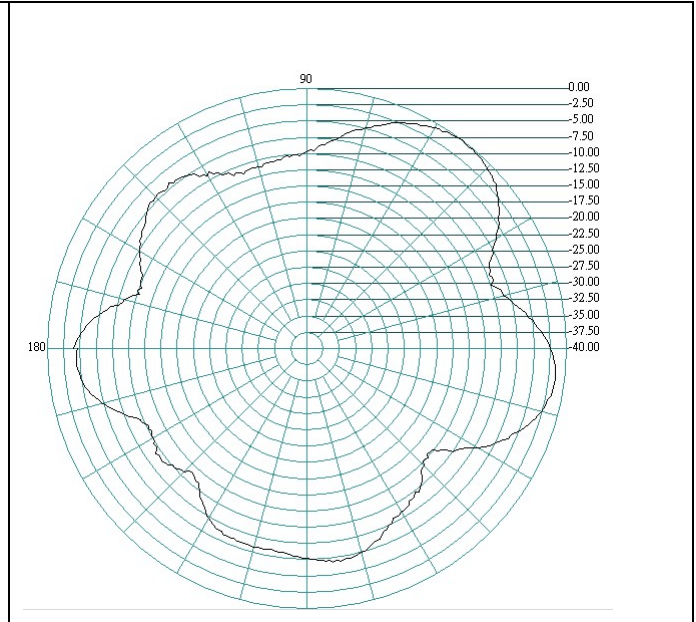
H-plane (X-Z)



E-plane (Y-Z)



H-plane (X-Z)



Product: PARED-10 TNCF

Product Order Code:
BM-02613-TNCF

CAD Data

